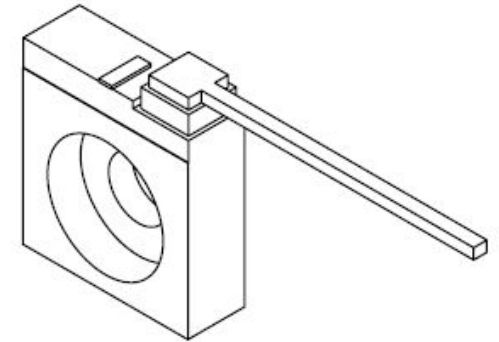
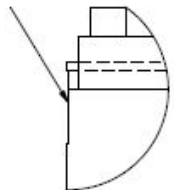


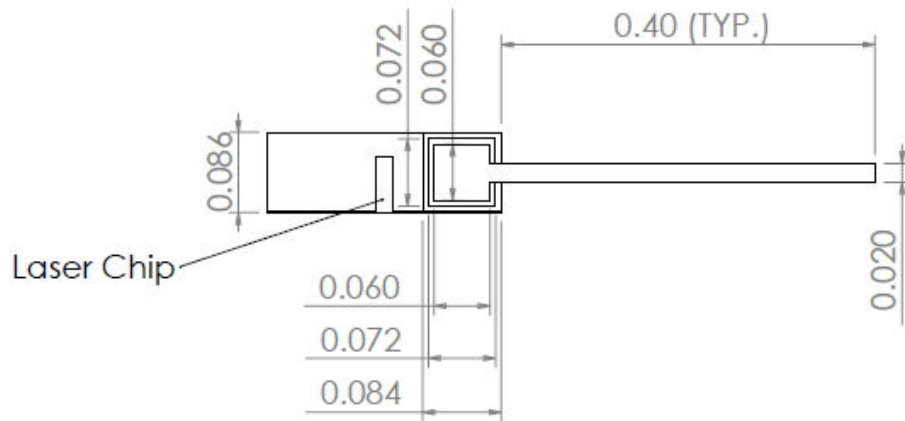
$\phi 0.090$  Through Hole  
with Counterbore  
0.175 Dia., 0.050 Deep



Relief Cut  
0.002"



DETAIL A  
SCALE 8 : 1



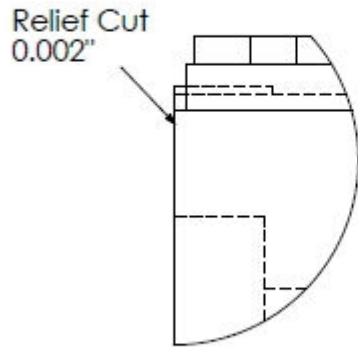
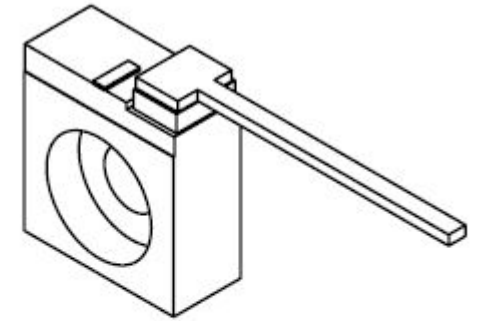
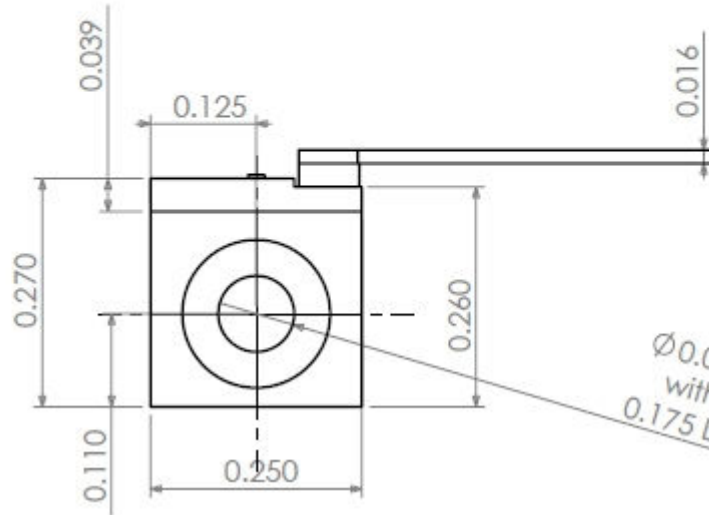
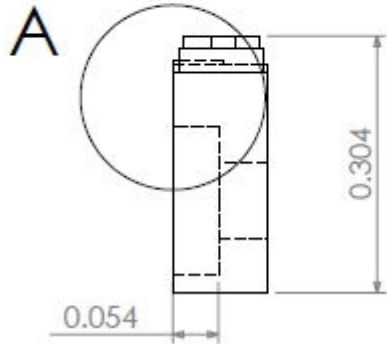
Laser Chip

Note:  
Material: OFHC Copper

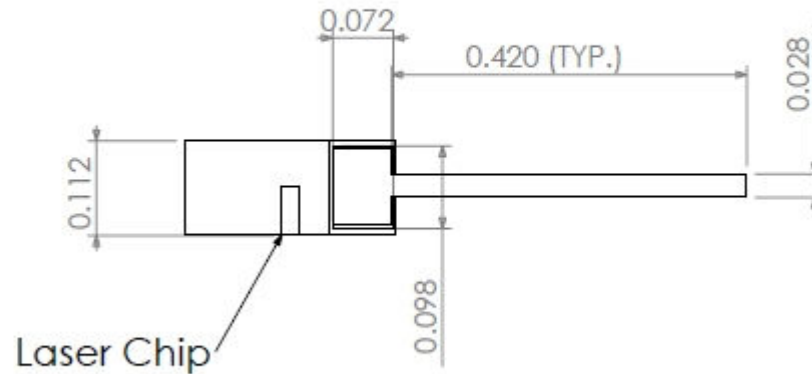
Title: C- Mount Standard

LDX Optronics Inc

Date:



DETAIL A  
SCALE 8 : 1

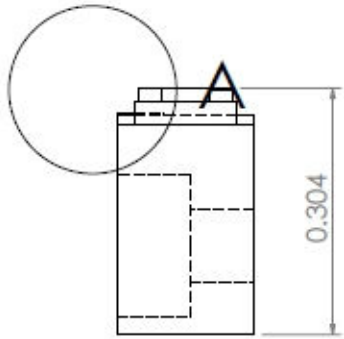


Note:  
1. Material: OFHC Copper

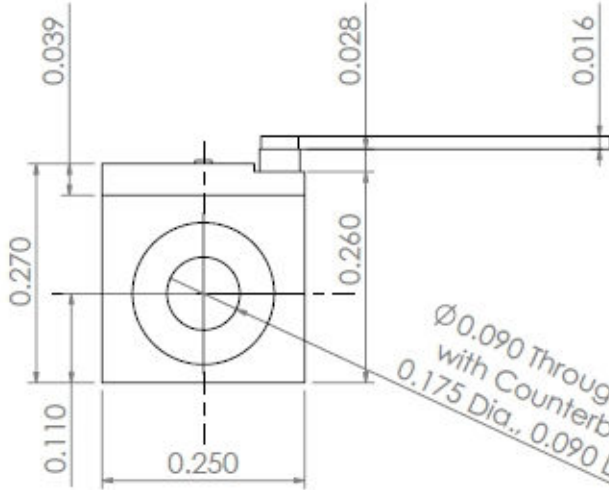
Title: C- Mount Medium

LDX Optronics Inc

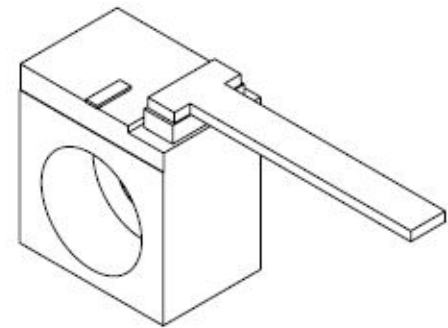
Date:



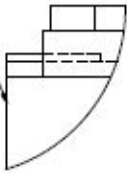
0.304



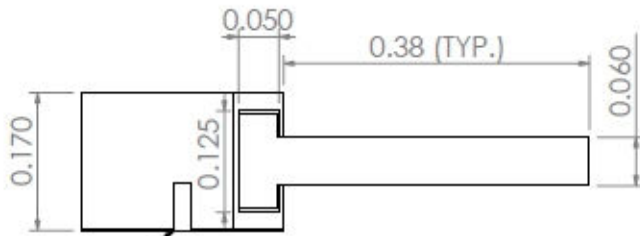
$\varnothing 0.090$  Through Hole  
with Counterbore  
0.175 Dia., 0.090 Deep



Relief Cut  
0.002"



DETAIL A  
SCALE 8 : 1



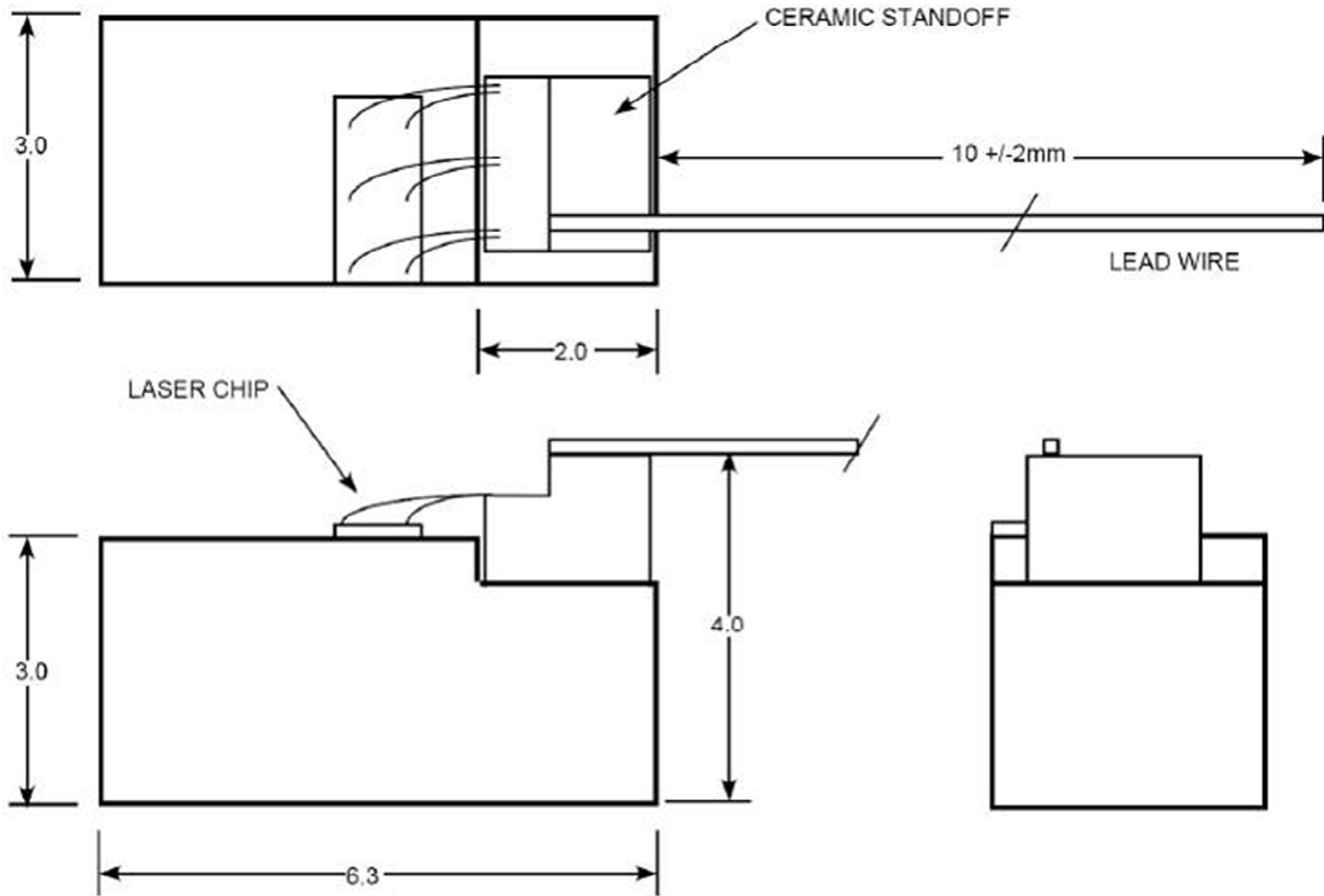
Laser Chip

Note:  
1. Material: OFHC Copper

Title: C-Mount Thick

LDX Optronics Inc

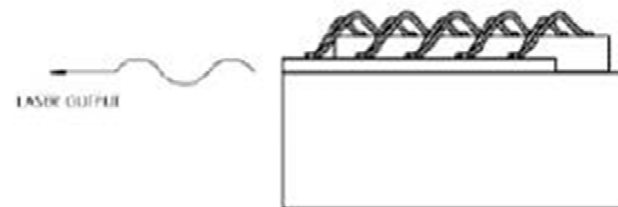
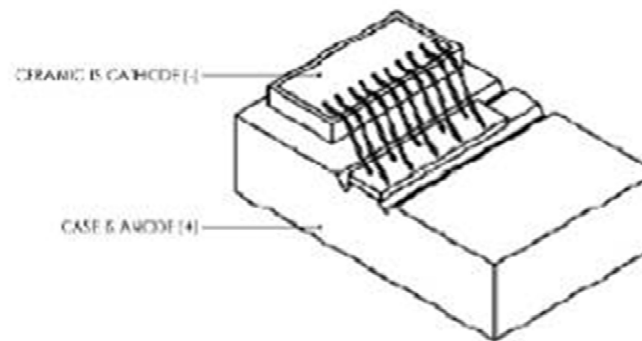
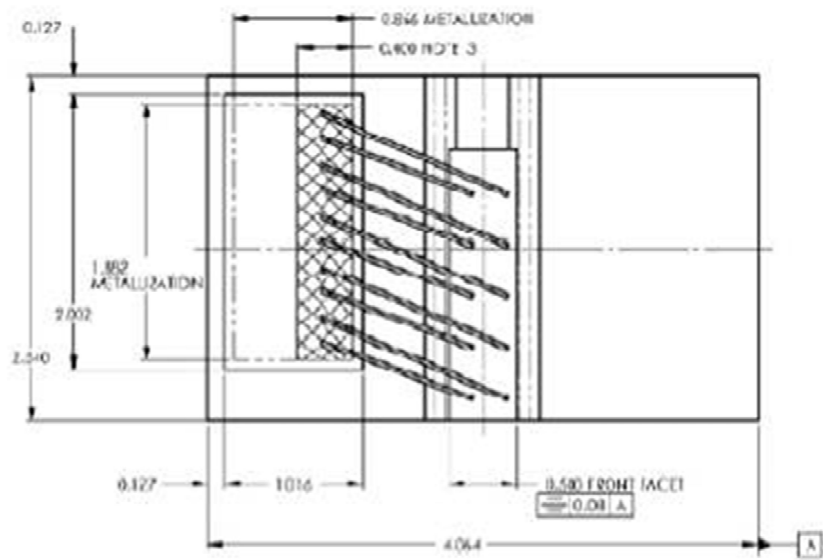
Date:



Title: B – Mount Package

LDX Optronics Inc

Date:

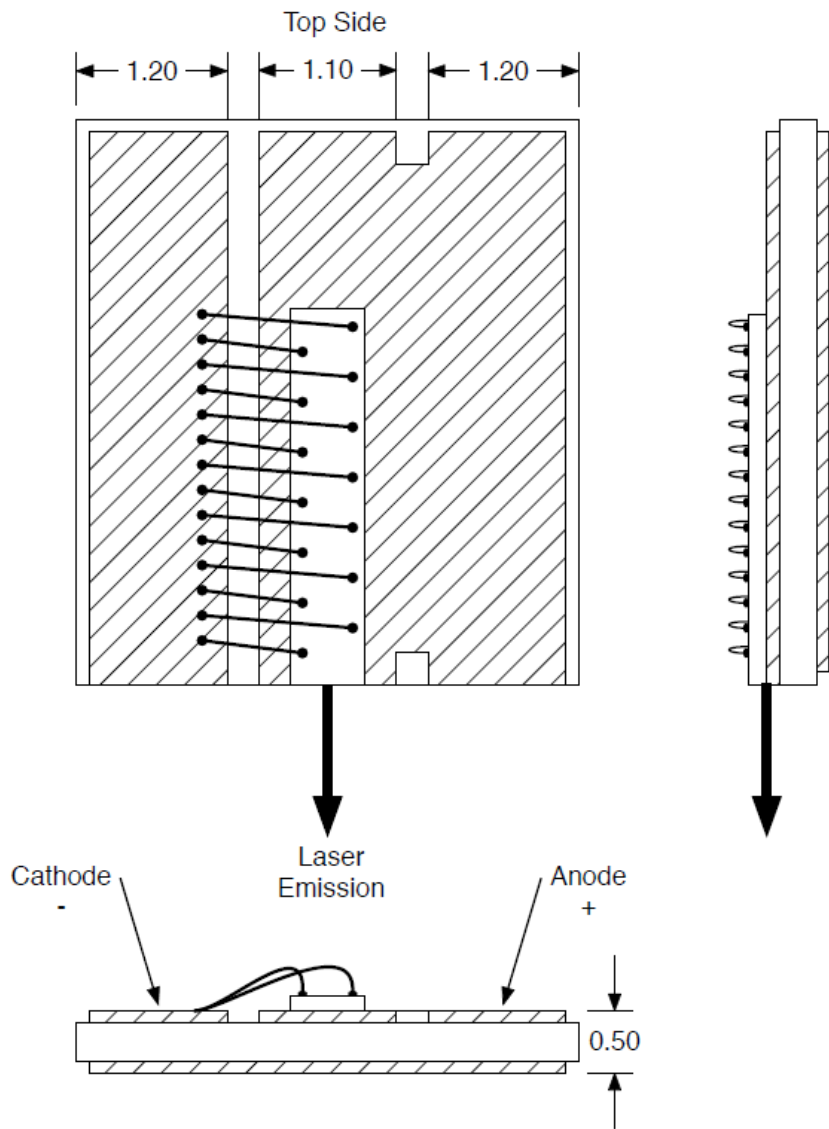


CuW (Copper-Tungsten alloy 20/80).

Title: Q – Mount Package

LDX Optronics Inc

Date:

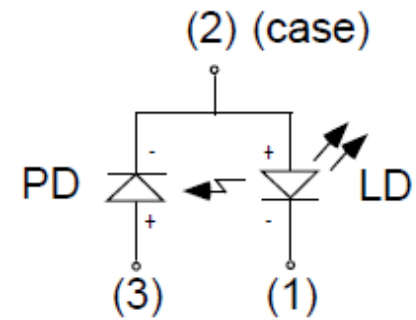
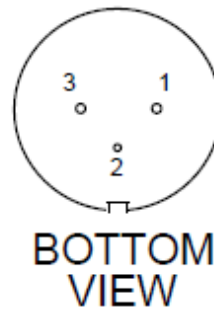
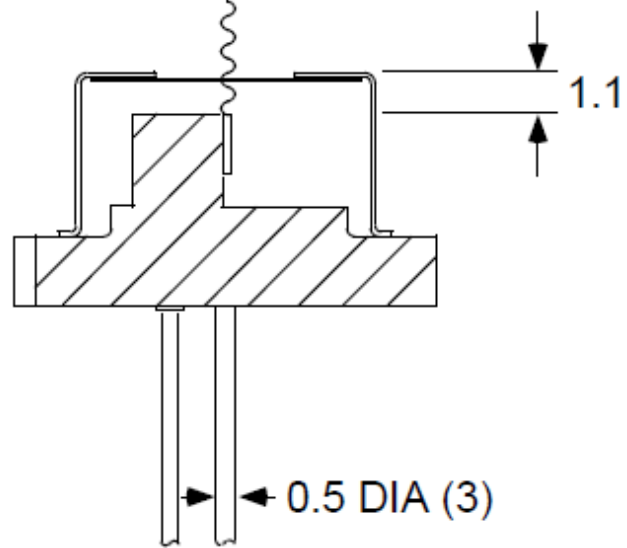
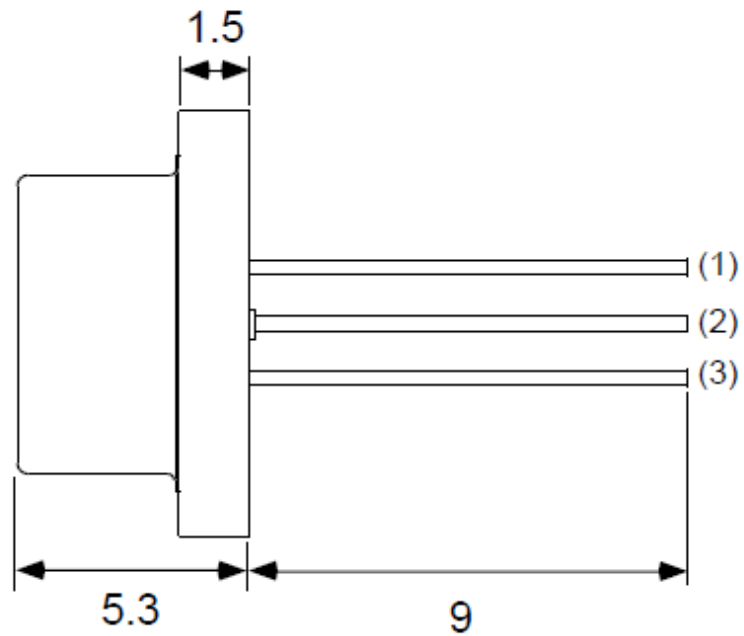
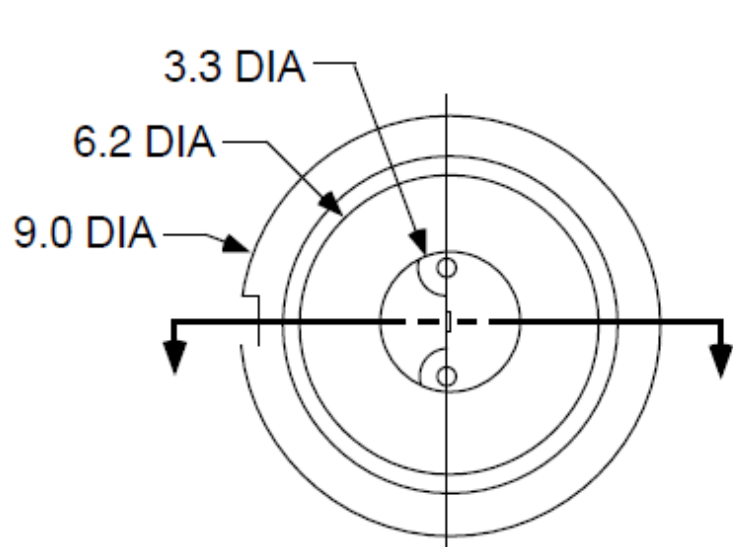


1. Dimensions in millimeters.
2. Material: BeO Ceramic with Copper surfaces.
3. Metalization: Ni/Au plated.
4. Dimensional tolerance +/-0.05mm.
5. Indium die attach- 150°C max process temperature.
6. AuSn die attach- 270°C max process temperature.

Title: Chip on Submount Package

LDX Optronics Inc

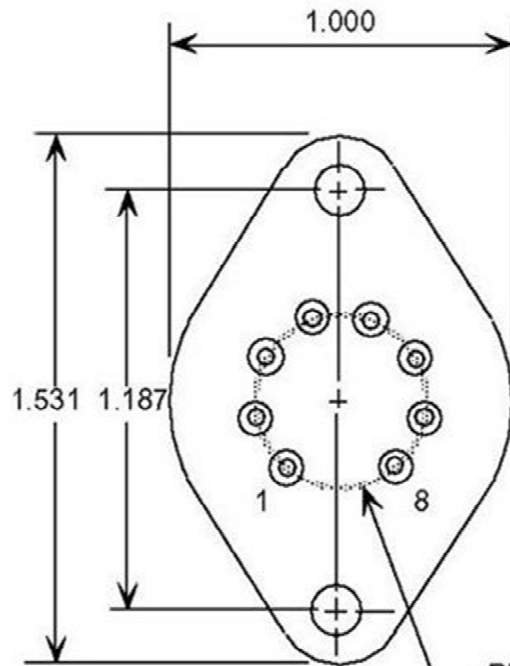
Date:



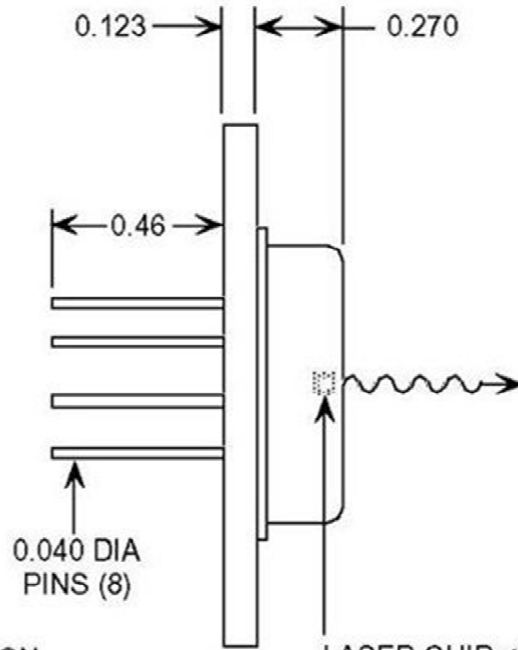
Title: 9mm Package

LDX Optronics Inc

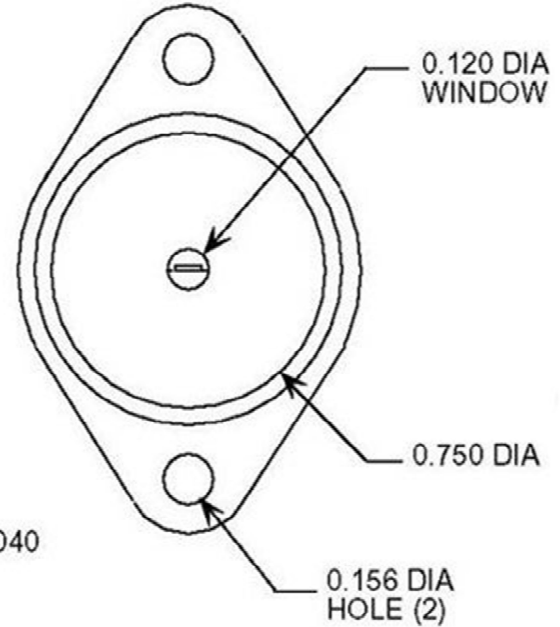
Date:



PINS ARE ON  
0.5 DIA CIRCLE



LASER CHIP <0.040  
BEHIND FRONT  
OF PACKAGE



- PIN 1: TEC (+)
- PIN 2: THERMISTOR
- PIN 3: THERMISTOR
- PIN 4: LASER CATHODE (-)
- PIN 5: LASER ANODE (+)
- PIN 6: P.D. ANODE
- PIN 7: P.D. CATHODE
- PIN 8: TEC (-)

- THERMOELECTRIC COOLER RATED 6.2 VOLT, 1.8 AMP MAXIMUM.
- THERMISTOR CONSTANTS:  $A=1.129 \text{ E-3}$ ,  $B=2.341 \text{ E-4}$ ,  $C=0.878 \text{ E-7}$
- THERMISTOR RESISTANCE:
 

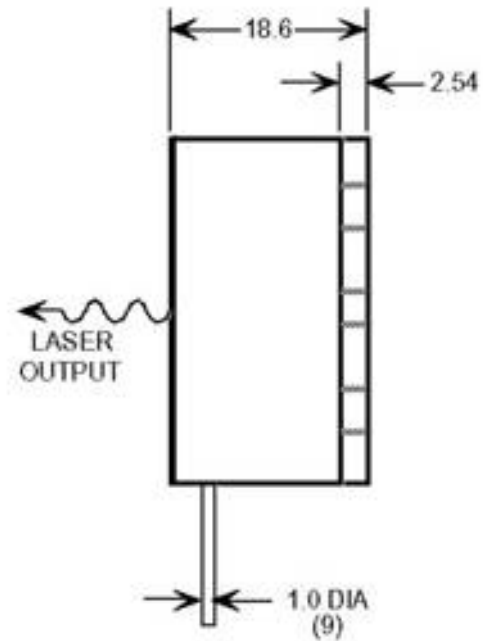
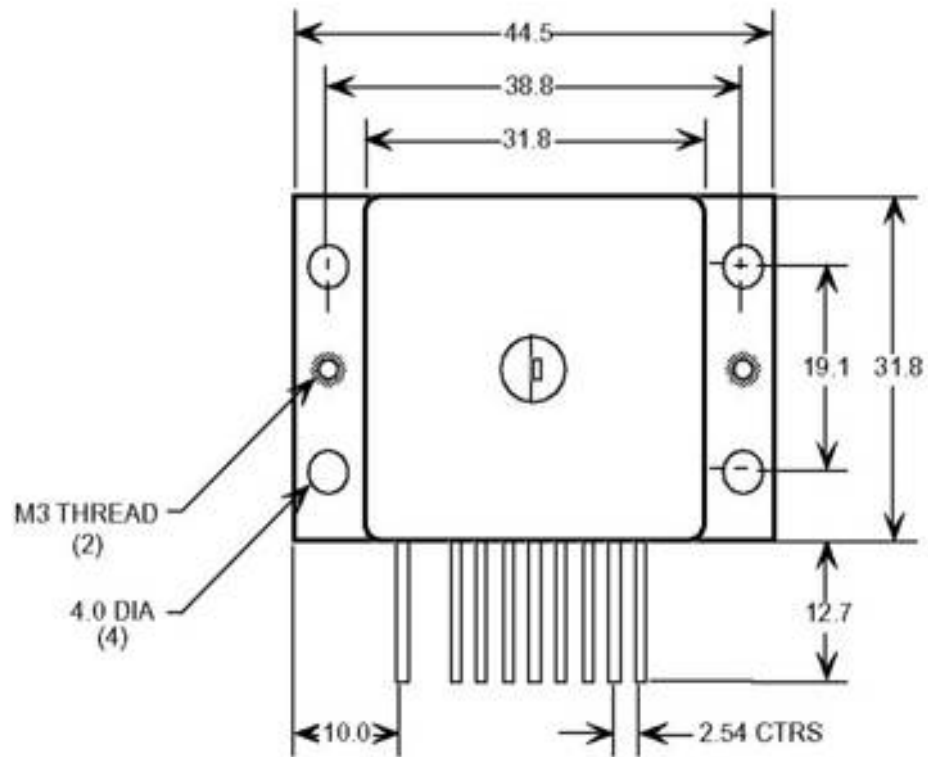
10.0 K	@	25 °C
12.5 K	@	20 °C
15.7 K	@	15 °C
19.9 K	@	10 °C
25.4 K	@	5 °C

Title: TO-3 Package

LDX Optronics Inc

Date:

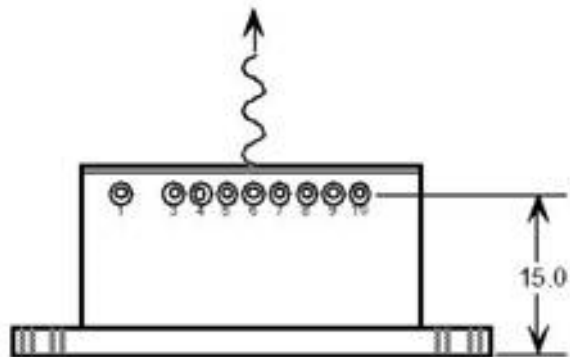




- PIN 1: TEC (-)
- PIN 2: THERMISTOR
- PIN 3: CASE
- PIN 4: LASER ANODE (+)
- PIN 5: THERMISTOR
- PIN 6: THERMISTOR
- PIN 7: LASER CATHODE (-)
- PIN 8: PHOTODIODE ANODE (+)
- PIN 9: PHOTODIODE CATHODE (-)
- PIN 10: TEC (+)

- THERMOELECTRIC COOLER RATED 3.6 AMP, 9.0 VOLTS MAXIMUM.
- THERMISTOR CONSTANTS:  $A=1.129 \text{ E-}3$ ,  $B=2.341 \text{ E-}4$ ,  $C=0.878 \text{ E-}7$
- THERMISTOR RESISTANCE:
 

10.0 K @ 25 °C	12.5 K @ 20 °C
15.7 K @ 15 °C	19.9 K @ 10 °C
25.4 K @ 5 °C	32.7 K @ 0 °C
42.3 K @ -5 °C	55.3 K @ -10 °C



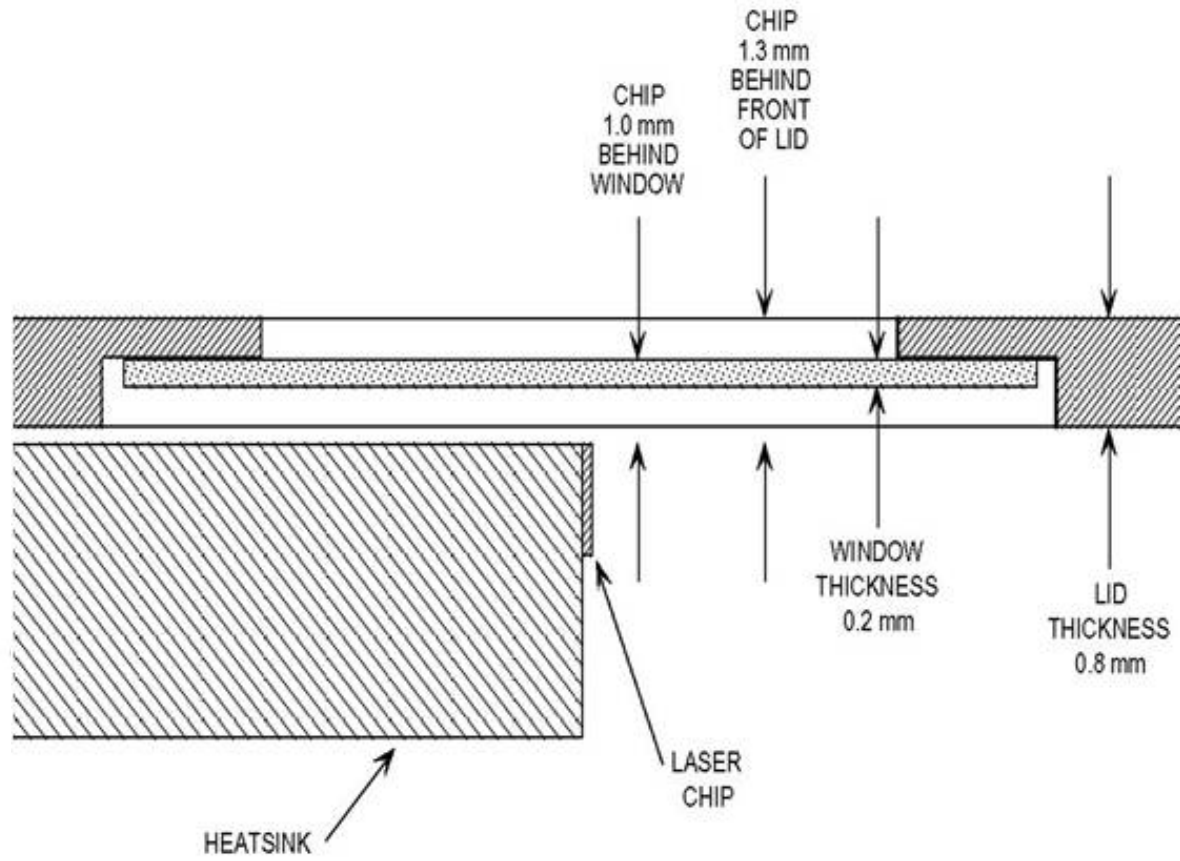
ALL DIMENSIONS IN MILLIMETERS

Title: HHL Package

LDX Optronics Inc

Date:

HHL PACKAGE- WINDOW SECTION DETAIL



Title: HHL Package Window Detail

LDX Optronics Inc

Date: